

General Notes
FOR EDUCATIONAL
PURPOSE ONLY
 1)

CONTENTS

- A1 - ISOMETRIC
- A2- PLANS
- A3- PLANS
- A4- ELEVATIONS
- A5- ELEVATIONS
- A6- SECTIONS
- A7- DETAILS
- A8- DETAILS
- A9- DETAILS
- A10- DETAILS

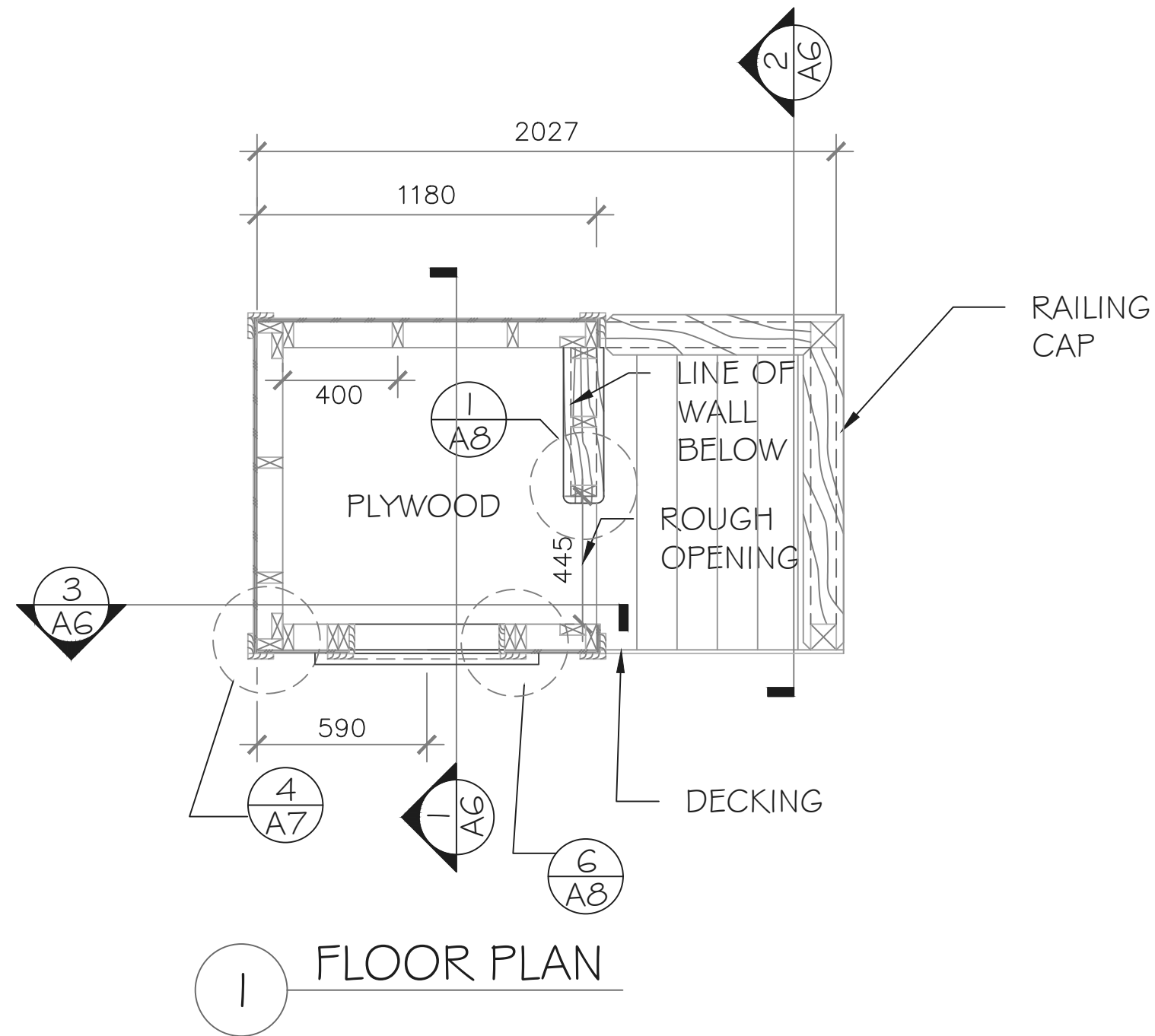
9	REVISIONS	SEPT. 12
...
2	REVISIONS	DEC.12
1	DRAFT	NOV. 19
No.	Revision/Issue	Date

SKILLS
CANADA

CARPENTRY
POST
SECONDARY

ISOMETRIC
VERSION 2

DRAWN BY: I. DU PLESSIS	SHEET #
DATE: SCNC2020	A1
SCALE: AS NOTED	



1 FLOOR PLAN

General Notes
FOR EDUCATIONAL
PURPOSE ONLY

- 1) All sheathing stock to be verified on site
- 2) Wall framing 2x4 = 38x89
- 3) Finish/Soften all exposed edges
- 4) All framing at 400 o/c
- 5) All dimensions to framing
- 6) All fastening for this project to be as per the National Building Code.

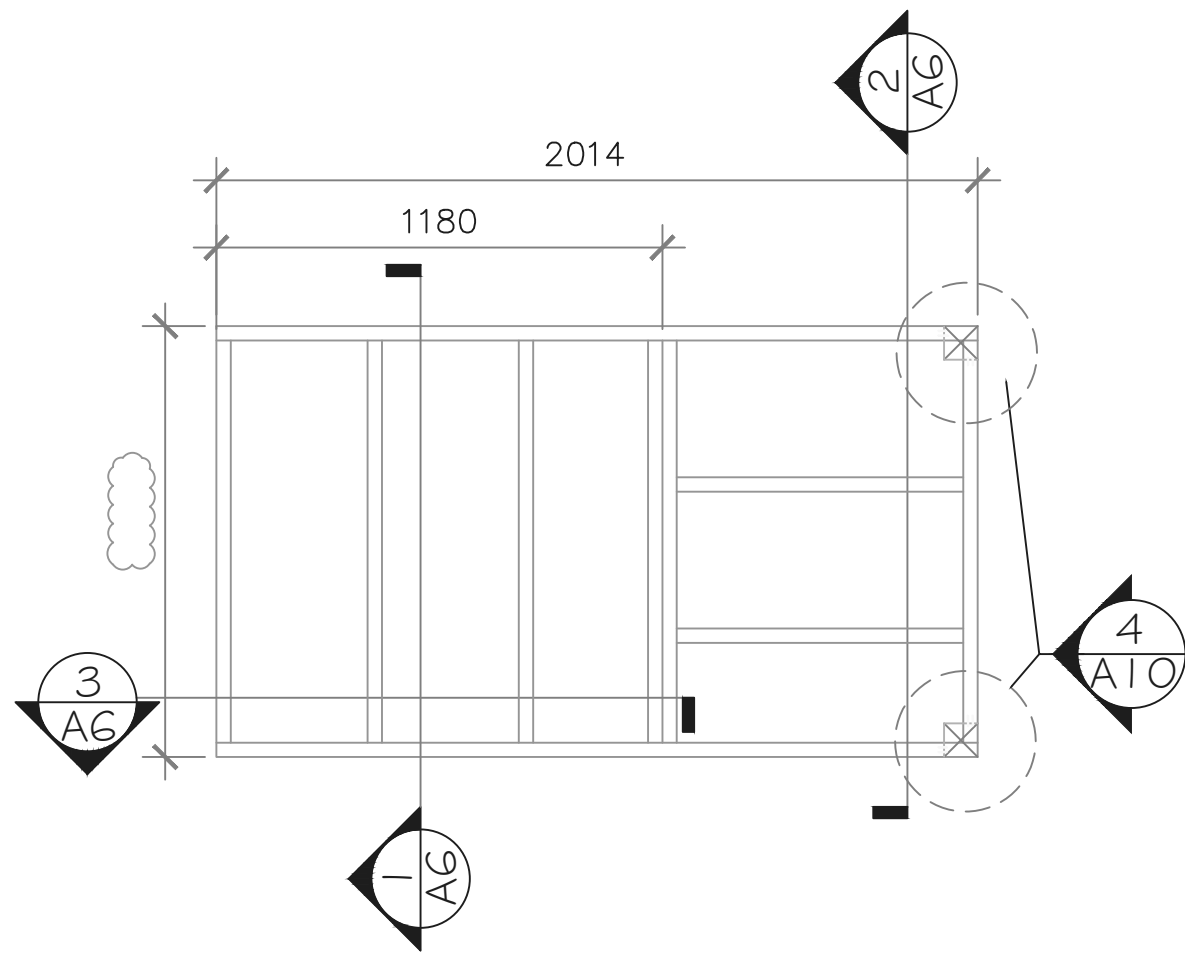
No.	Revision/Issue	Date
9	REVISIONS	SEPT. 12
...
2	REVISIONS	DEC.12
1	DRAFT	NOV. 19

SKILLS
CANADA

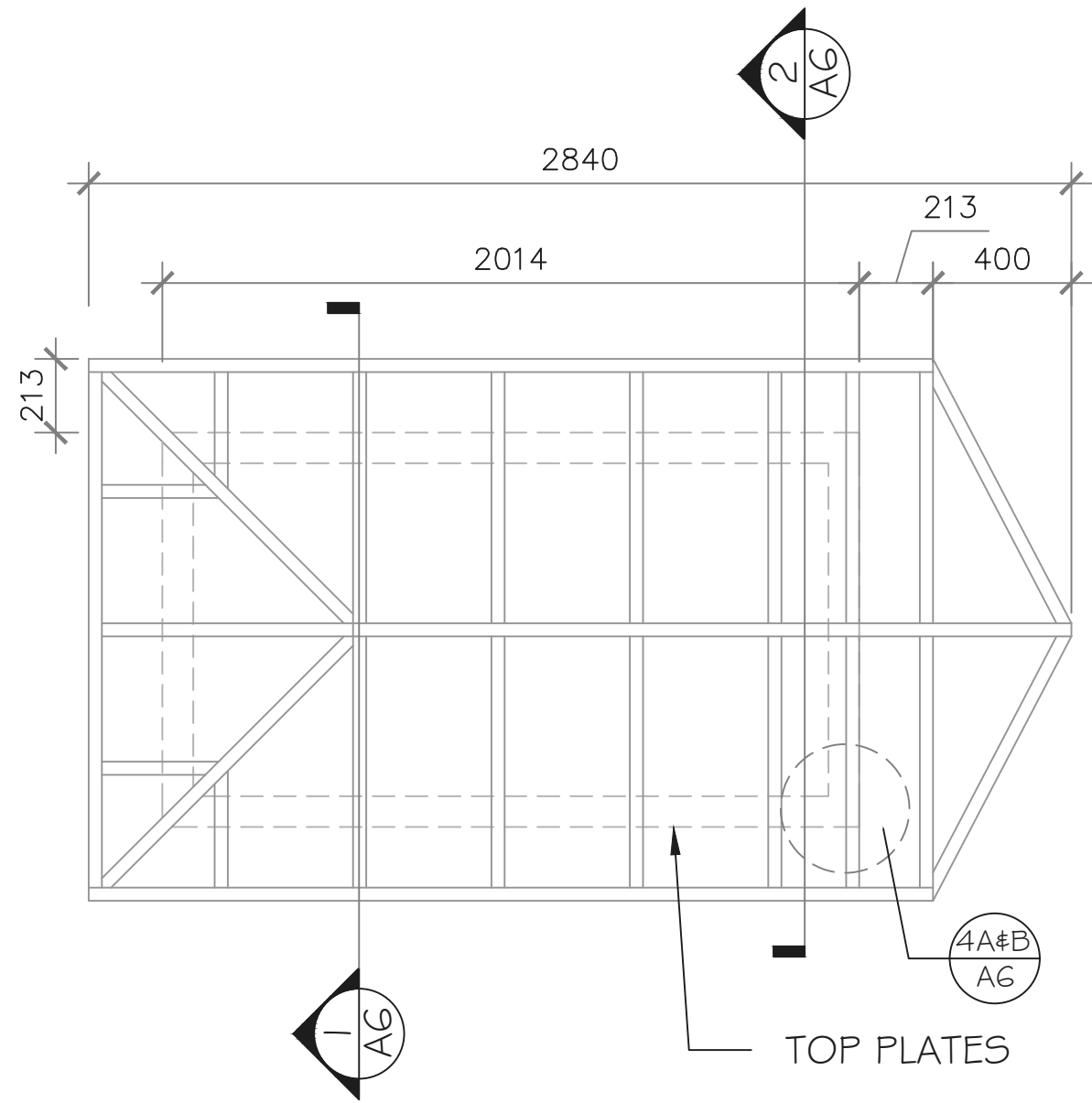
CARPENTRY
POST
SECONDARY

PLANS
VERSION 2

DRAWN BY: I. DU PLESSIS	SHEET #
DATE: SCNC2020	A2
SCALE: AS NOTED	



2 FLOOR JOIST PLAN



1 ROOF FRAMING PLAN

General Notes
 FOR EDUCATIONAL PURPOSE ONLY
 1) No sheathing for roof
 2) Ridge and hip stock 2x6/38x140
 3) Hips to be back-bevelled; not dropped

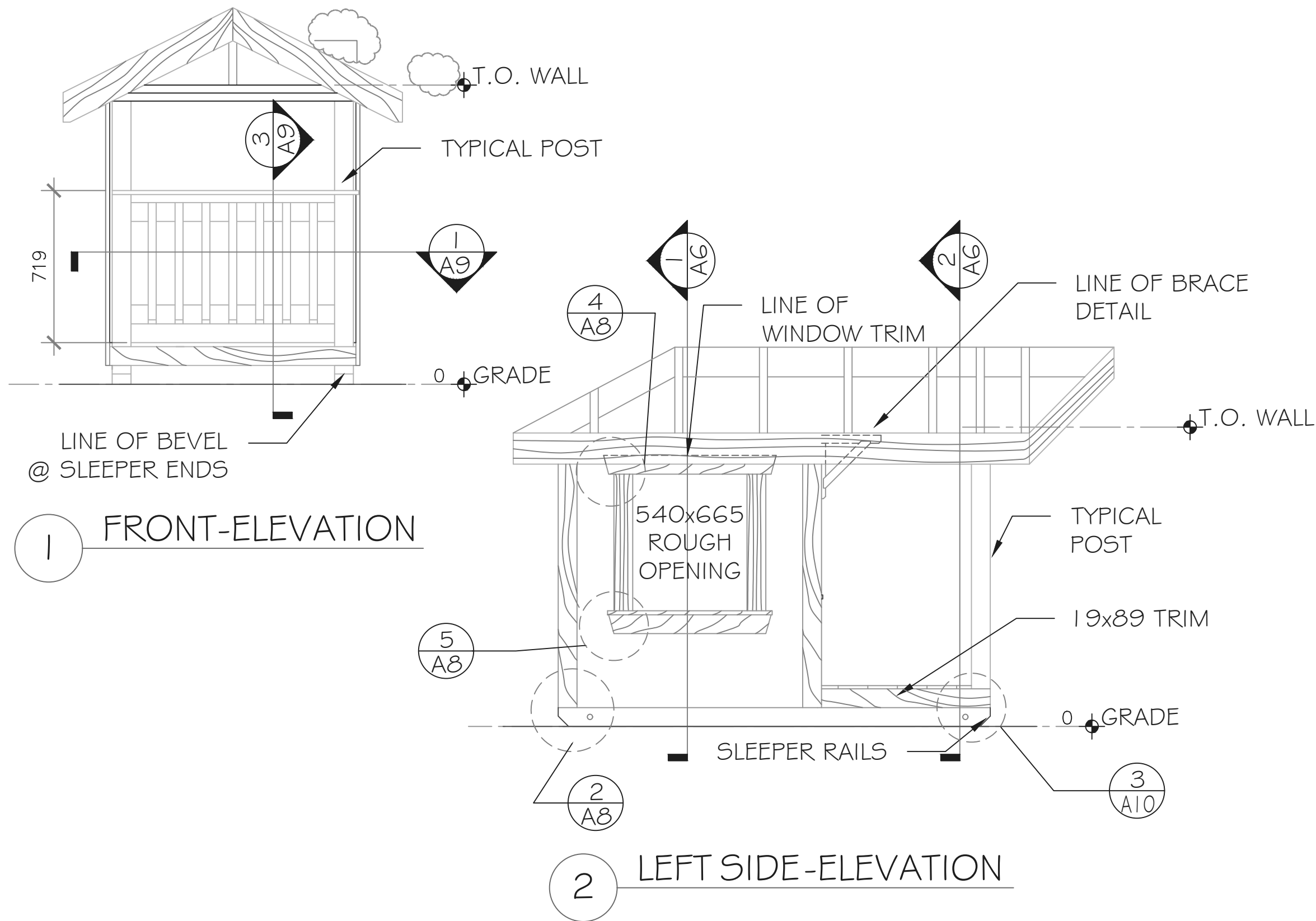
No.	Revision/Issue	Date
9	REVISIONS	SEPT. 12
...
2	REVISIONS	DEC.12
1	DRAFT	NOV. 19

SKILLS CANADA

CARPENTRY POST SECONDARY

PLANS VERSION 2

DRAWN BY: I. DU PLESSIS	SHEET #
DATE: SCNC2020	A3
SCALE: AS NOTED	



General Notes
 FOR EDUCATIONAL PURPOSE ONLY
 1) T.O. = Top of Wall
 2) Sleeper rails treated 4x4
 3) Fascia 1x6/19x140
 4) Window trim 1x4/19x89
 5) Balusters 2x2/38x39

No.	Revision/Issue	Date
9	REVISIONS	SEPT. 12
...
2	REVISIONS	DEC.12
1	DRAFT	NOV. 19

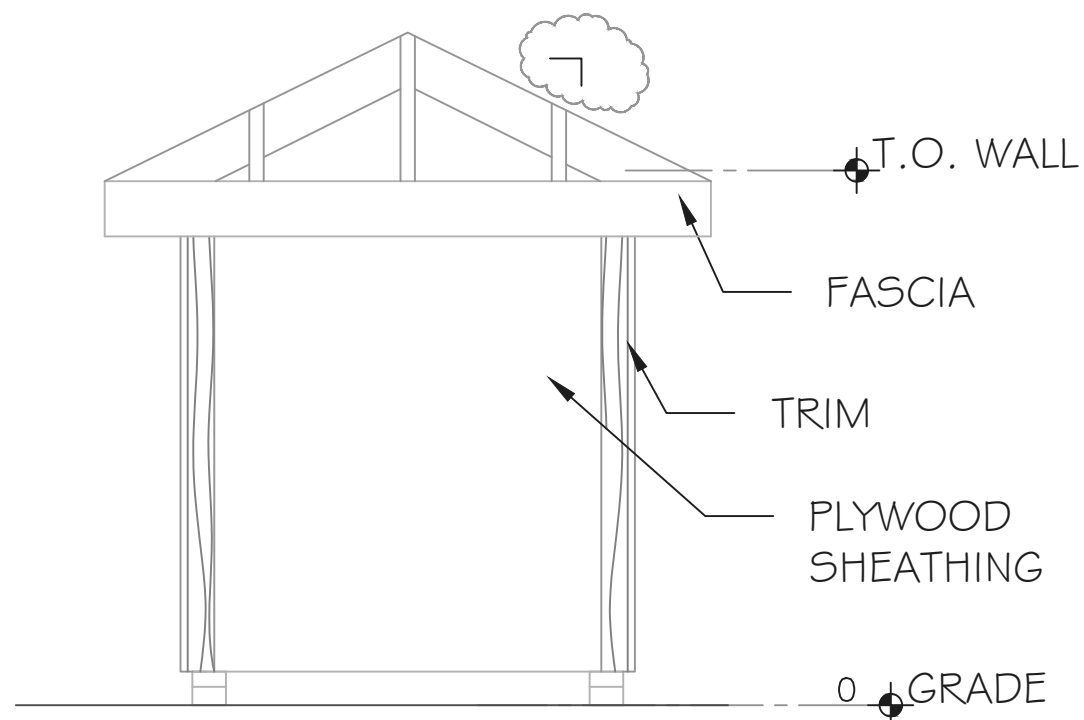
SKILLS CANADA

CARPENTRY POST SECONDARY

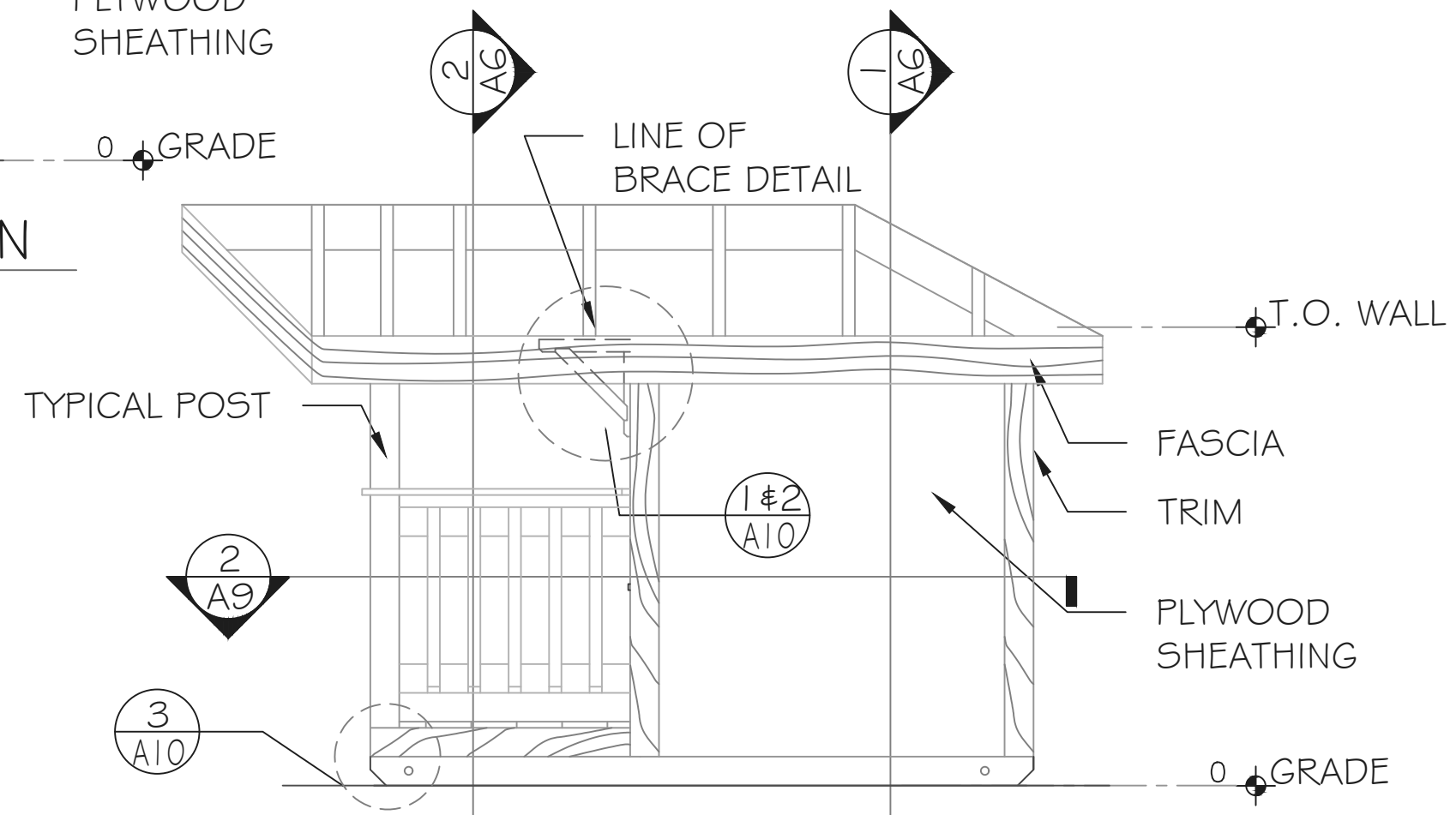
ELEVATIONS
VERSION 2

DRAWN BY: I. DU PLESSIS	SHEET #
DATE: SCNC2020	A4
SCALE: AS NOTED	

General Notes
 FOR EDUCATIONAL
 PURPOSE ONLY
 1)



1 REAR-ELEVATION



2 RIGHT SIDE-ELEVATION

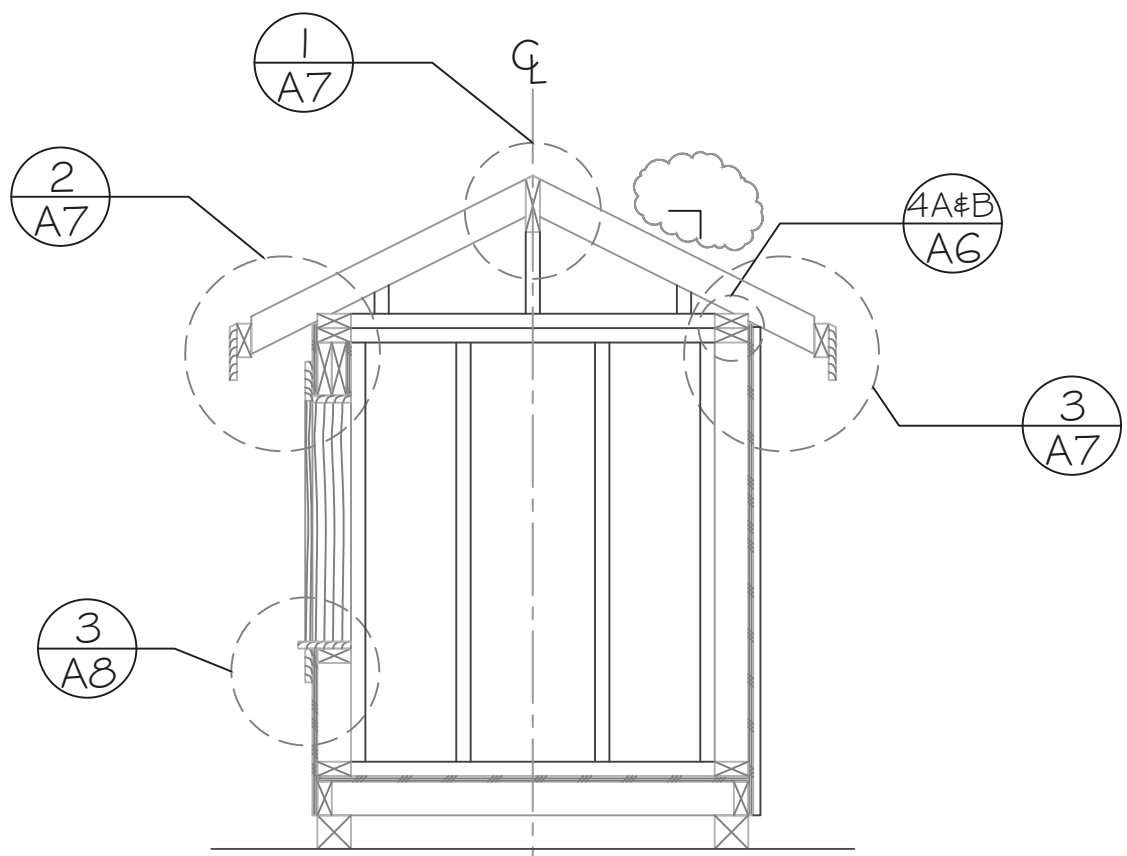
No.	Revision/Issue	Date
9	REVISIONS	SEPT. 12
...
2	REVISIONS	DEC.12
1	DRAFT	NOV. 19

SKILLS
 CANADA

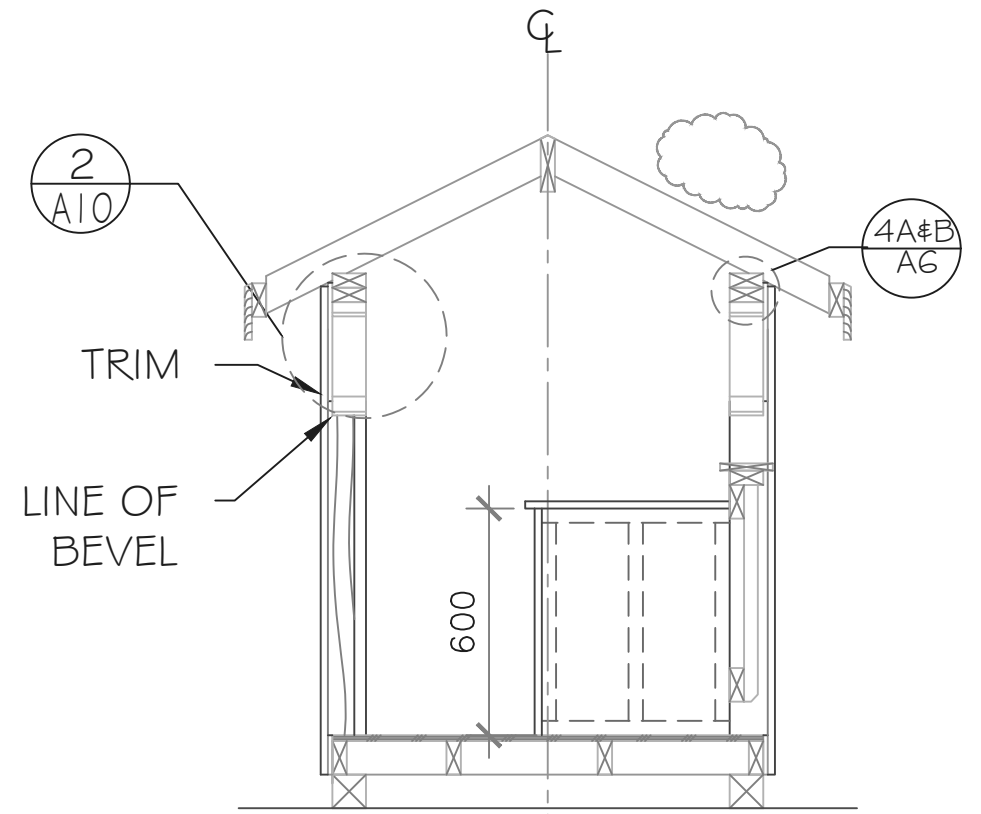
CARPENTRY
 POST
 SECONDARY

ELEVATIONS
 VERSION 2

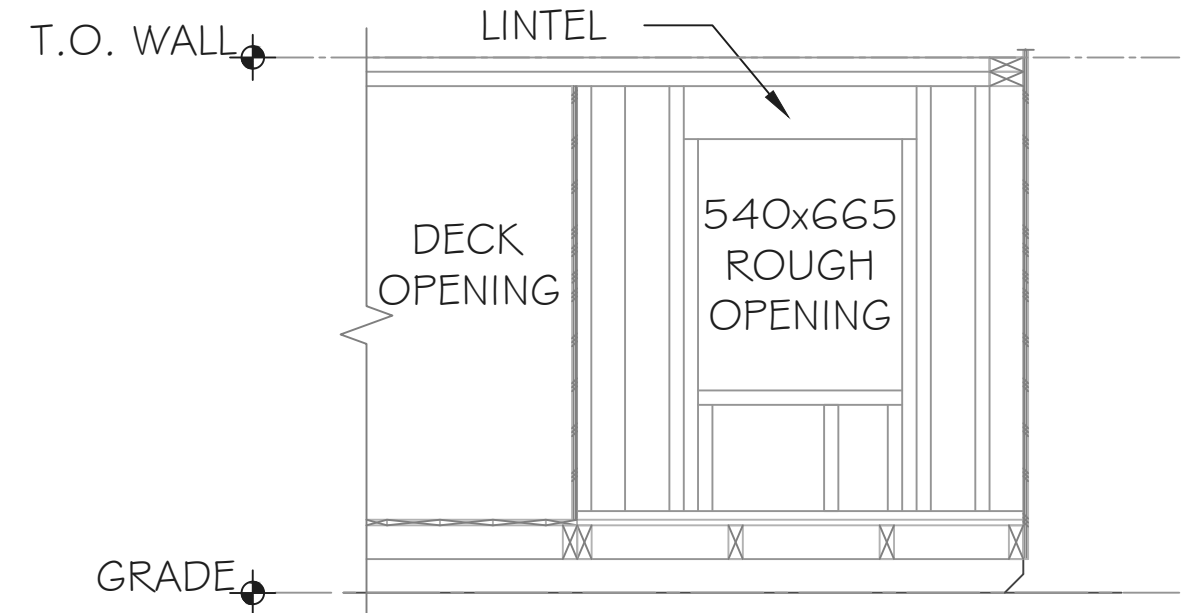
DRAWN BY: I. DU PLESSIS	SHEET #
DATE: SCNC2020	A5
SCALE: AS NOTED	



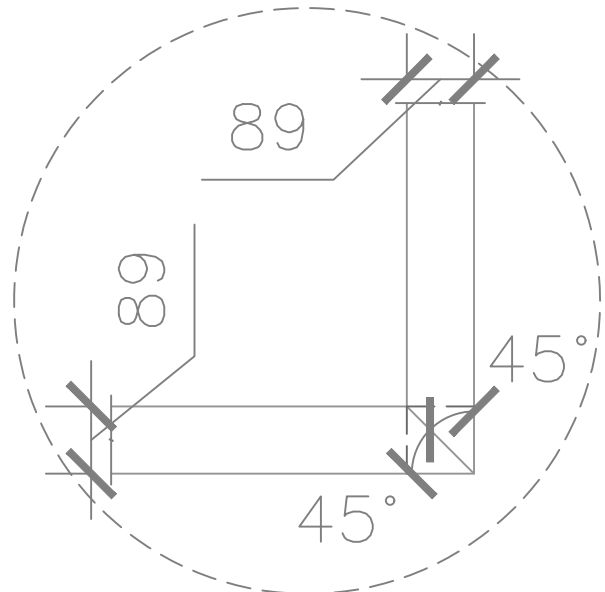
1 SECTION-1
A2, A3, A4, A5



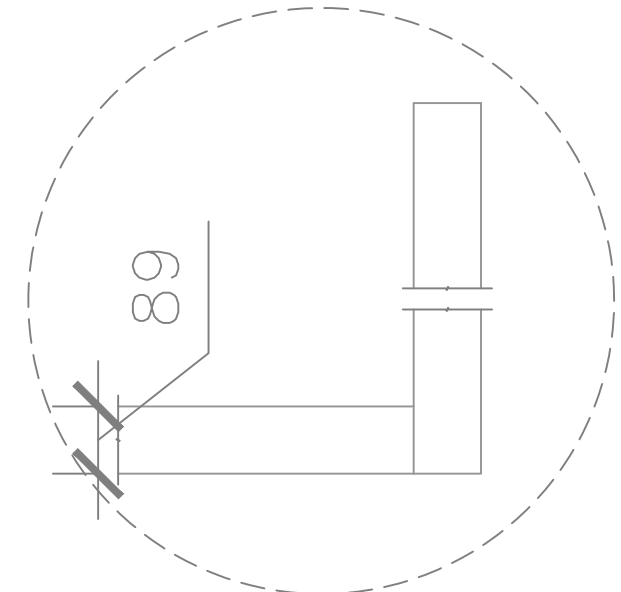
2 SECTION 2
(EXCLUDING BACK WALL)
A2, A3, A4, A5



3 SECTION-3
A2, A3



4A PLAN OF LOWER TOP PLATE
CONNECTION AT POSTS



4B PLAN OF UPPER TOP PLATE
CONNECTION AT POSTS

General Notes
FOR EDUCATIONAL
PURPOSE ONLY

1) Lintel 2 ply
89x140

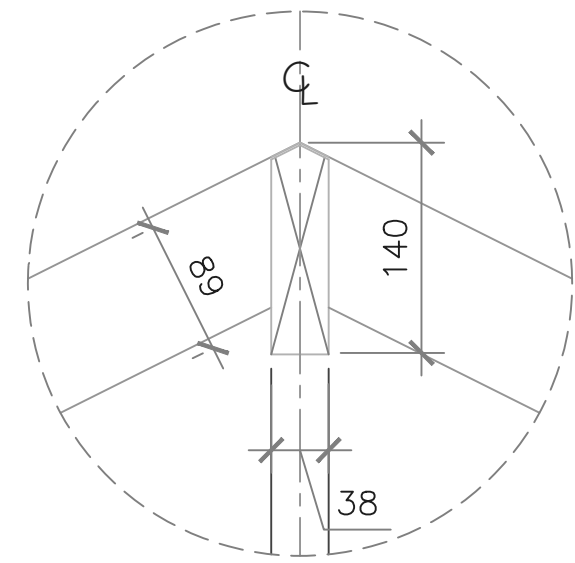
No.	Revision/Issue	Date
9	REVISIONS	SEPT. 12
...
2	REVISIONS	DEC.12
1	DRAFT	NOV. 19

SKILLS
CANADA

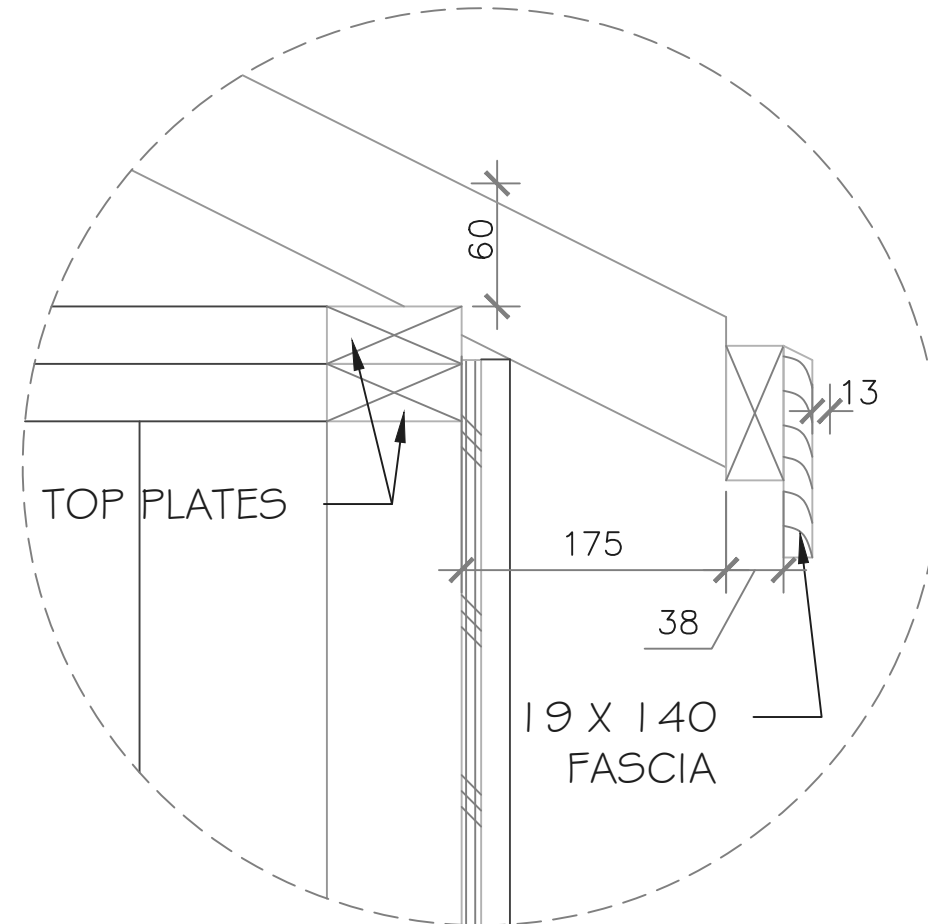
CARPENTRY
POST
SECONDARY

SECTIONS
VERSION 2

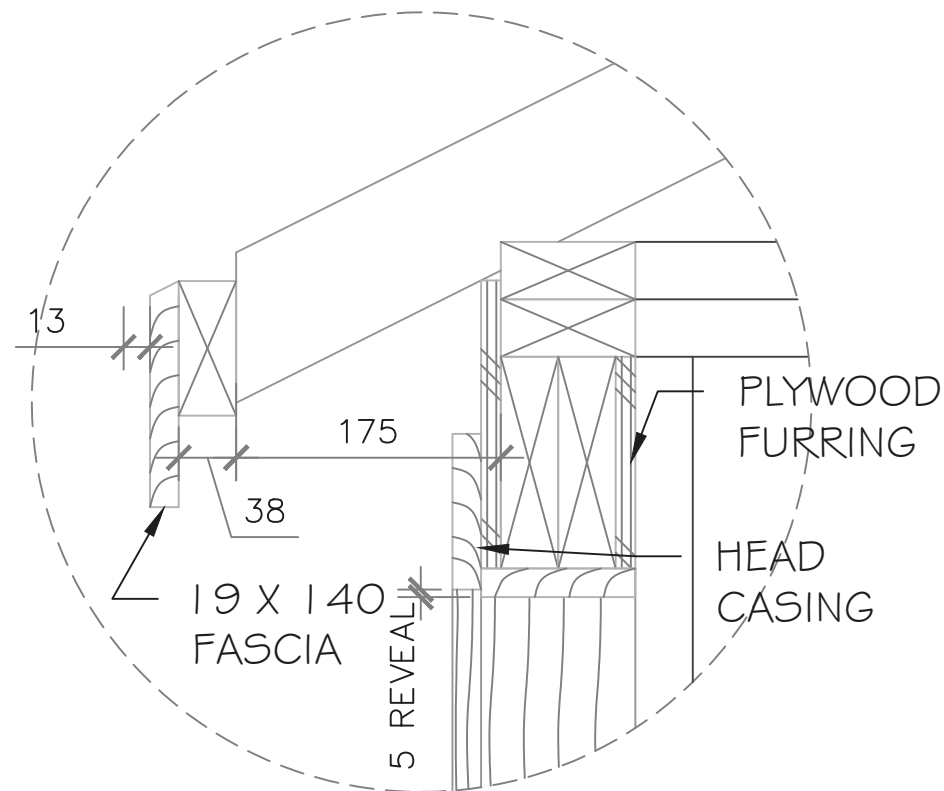
DRAWN BY: I. DU PLESSIS	SHEET #
DATE: SCNC2020	A6
SCALE: AS NOTED	



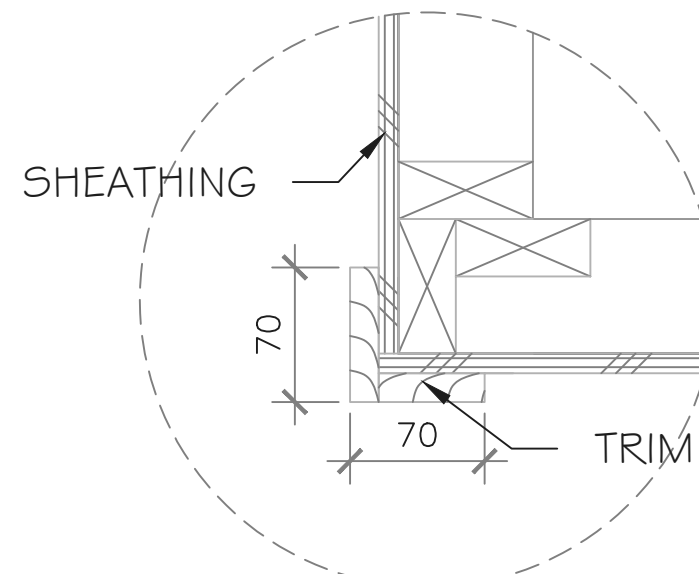
1 RIDGE DETAIL



3 TYP. EAVE DETAIL



2 EAVE DETAIL @ LINTEL



4 TYP. WALL @ CORNER

General Notes
 FOR EDUCATIONAL
 PURPOSE ONLY
 1) FASCIA CORNERS
 TO BE MITRED

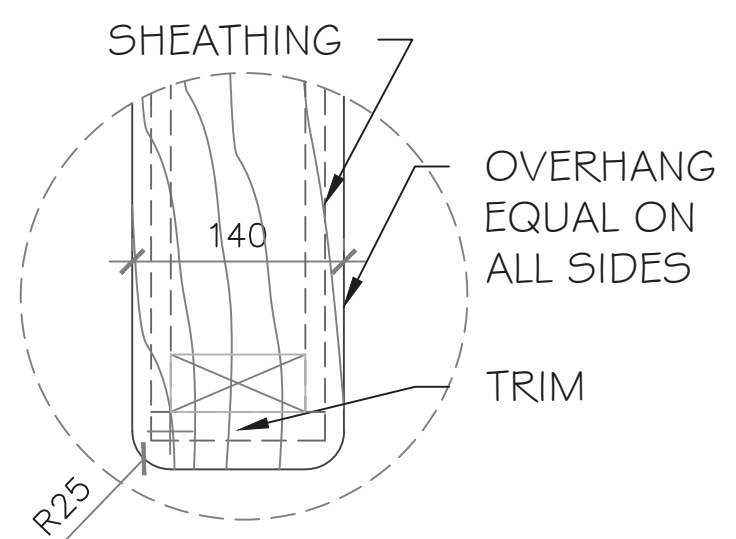
No.	Revision/Issue	Date
9	REVISIONS	SEPT. 12
...
2	REVISIONS	DEC.12
1	DRAFT	NOV. 19

SKILLS
CANADA

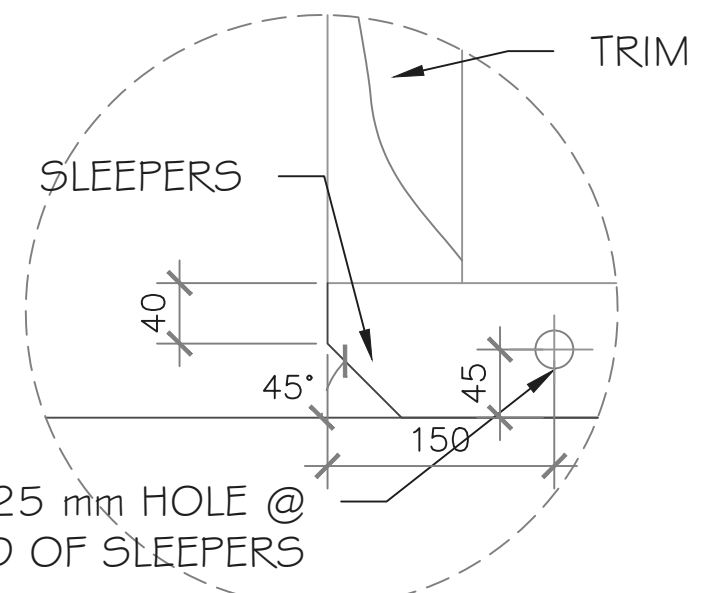
CARPENTRY
POST
SECONDARY

DETAILS
VERSION 2

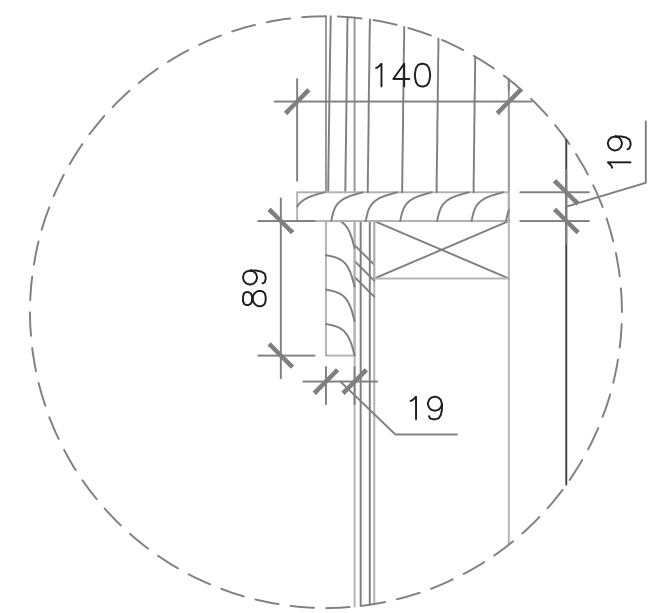
DRAWN BY: I. DU PLESSIS	SHEET #
DATE: SCNC2020	A7
SCALE: AS NOTED	



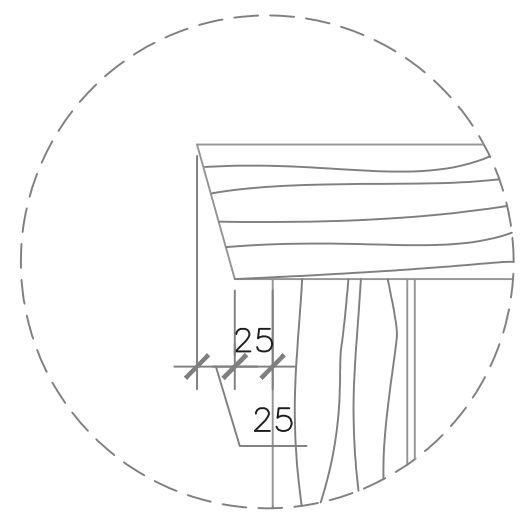
1
A2
WALL CAP DETAIL



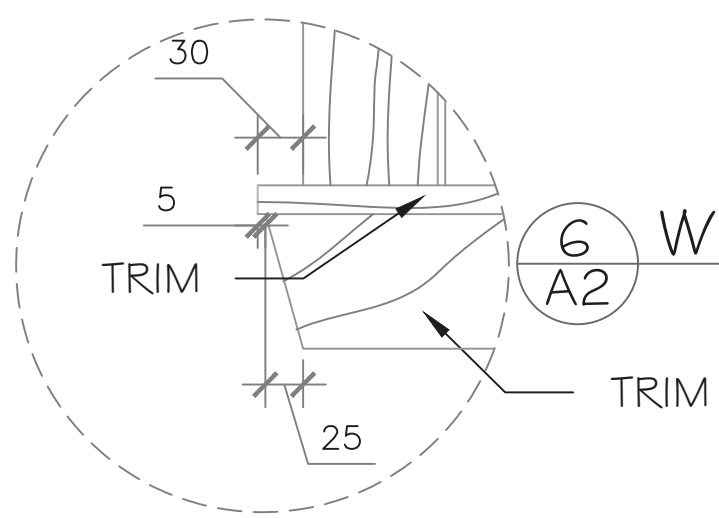
2
A4
SLEEPER ANGLE DETAIL



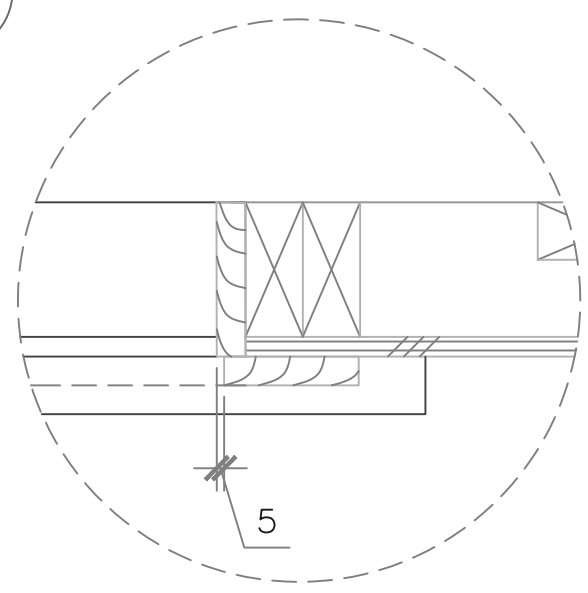
3
A4
WINDOW SILL DETAIL



4
A4
WINDOW HEAD TRIM DETAIL



5
A4
WINDOW SILL TRIM DETAIL



6
A2
WINDOW SILL PLAN DETAIL

General Notes
FOR EDUCATIONAL
PURPOSE ONLY
1)

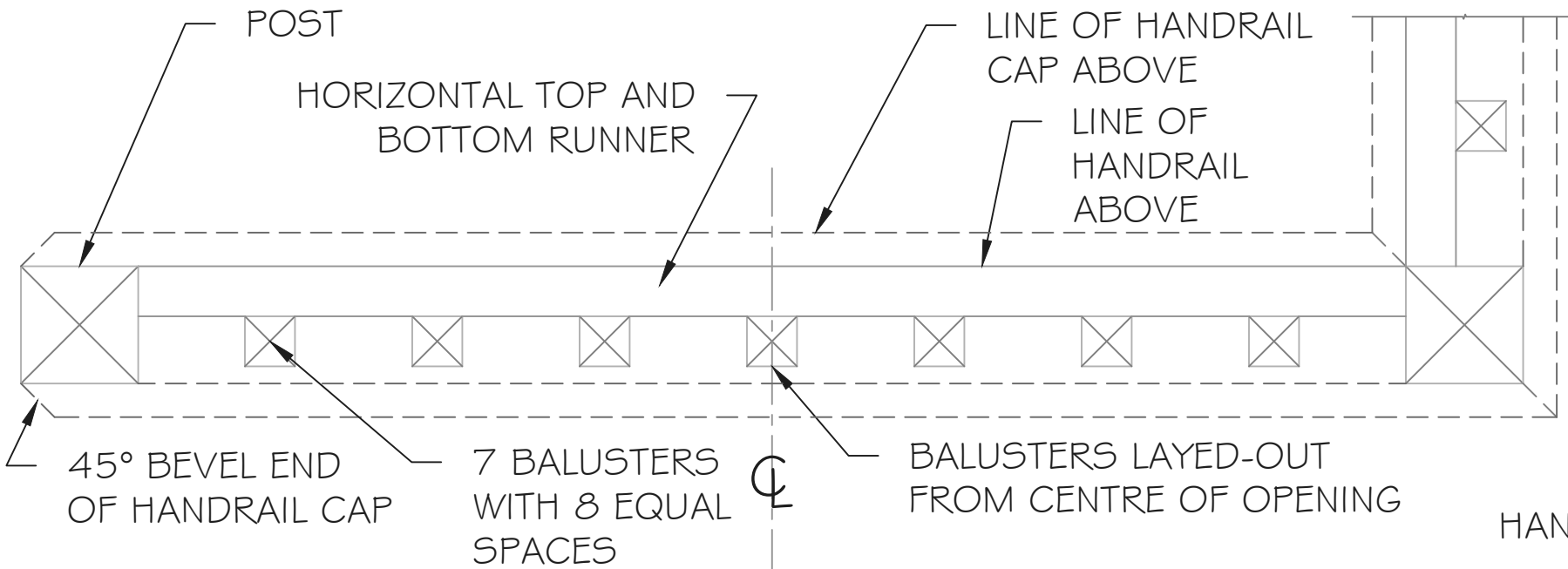
No.	Revision/Issue	Date
9	REVISIONS	SEPT. 12
...
2	REVISIONS	DEC.12
1	DRAFT	NOV. 19

SKILLS
CANADA

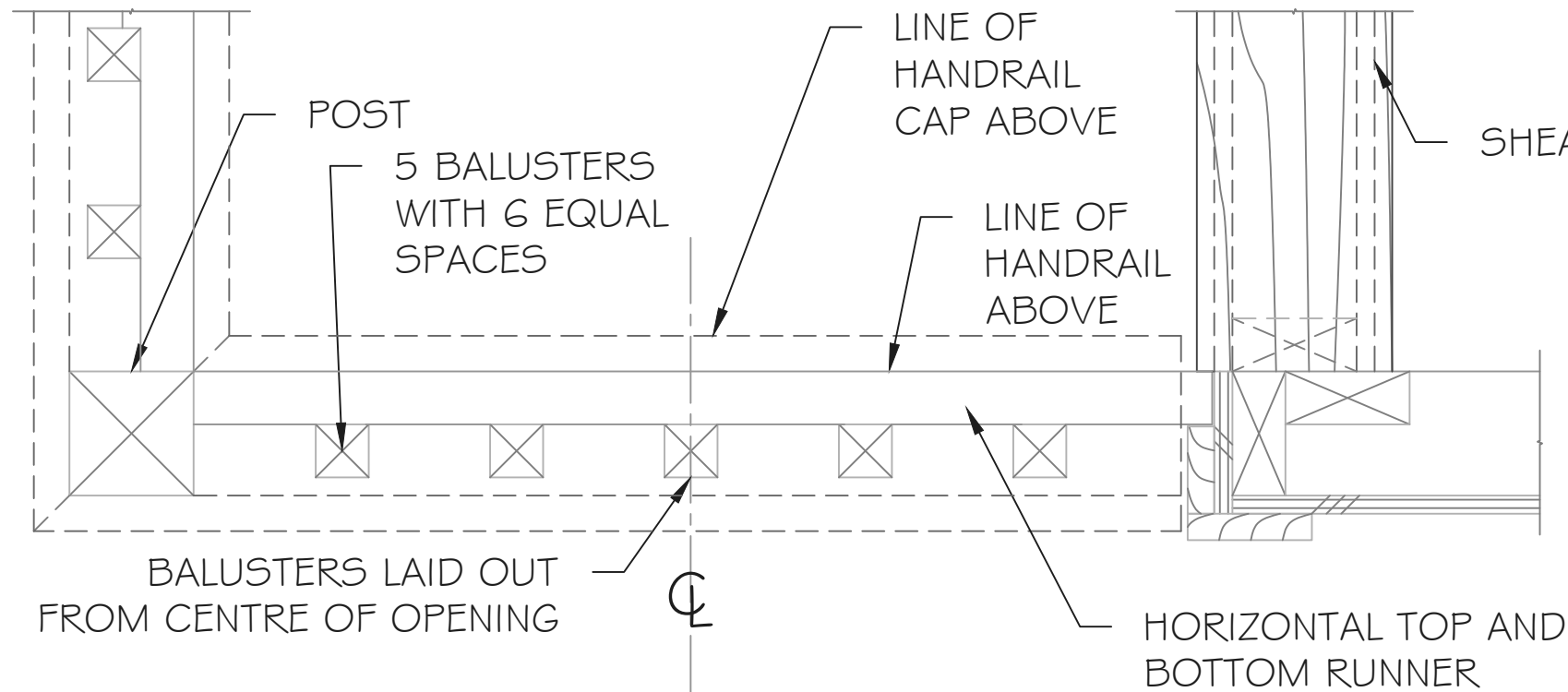
CARPENTRY
POST
SECONDARY

DETAILS
VERSION 2

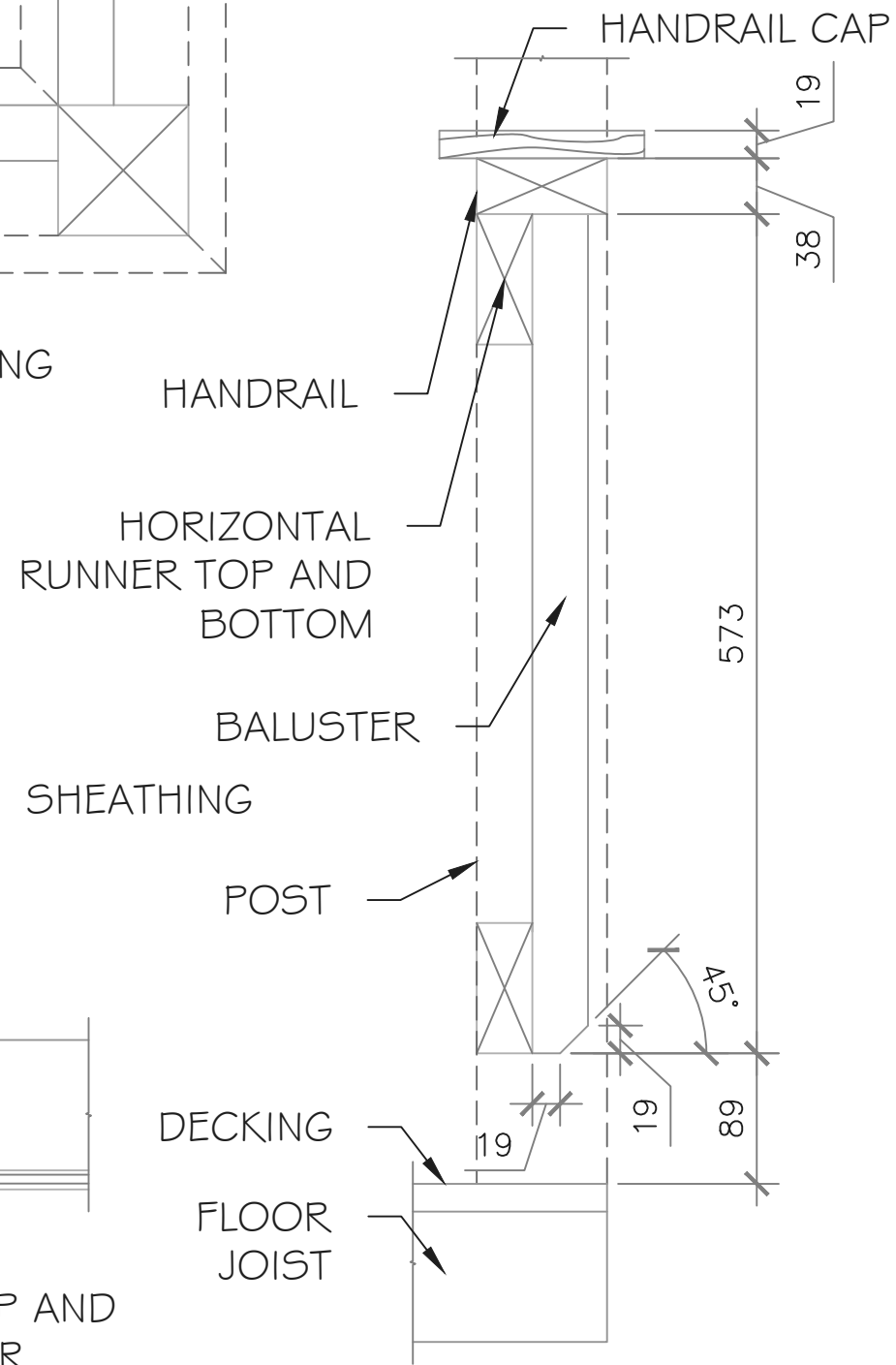
DRAWN BY: I. DU PLESSIS	SHEET #
DATE: SCNC2020	A8
SCALE: AS NOTED	



1
A4 FRONT RAILING PLAN



2
A5 SIDE RAILING PLAN



3
A4 BALUSTER SECTION

General Notes
FOR EDUCATIONAL
PURPOSE ONLY

1) All handrail materials are cedar

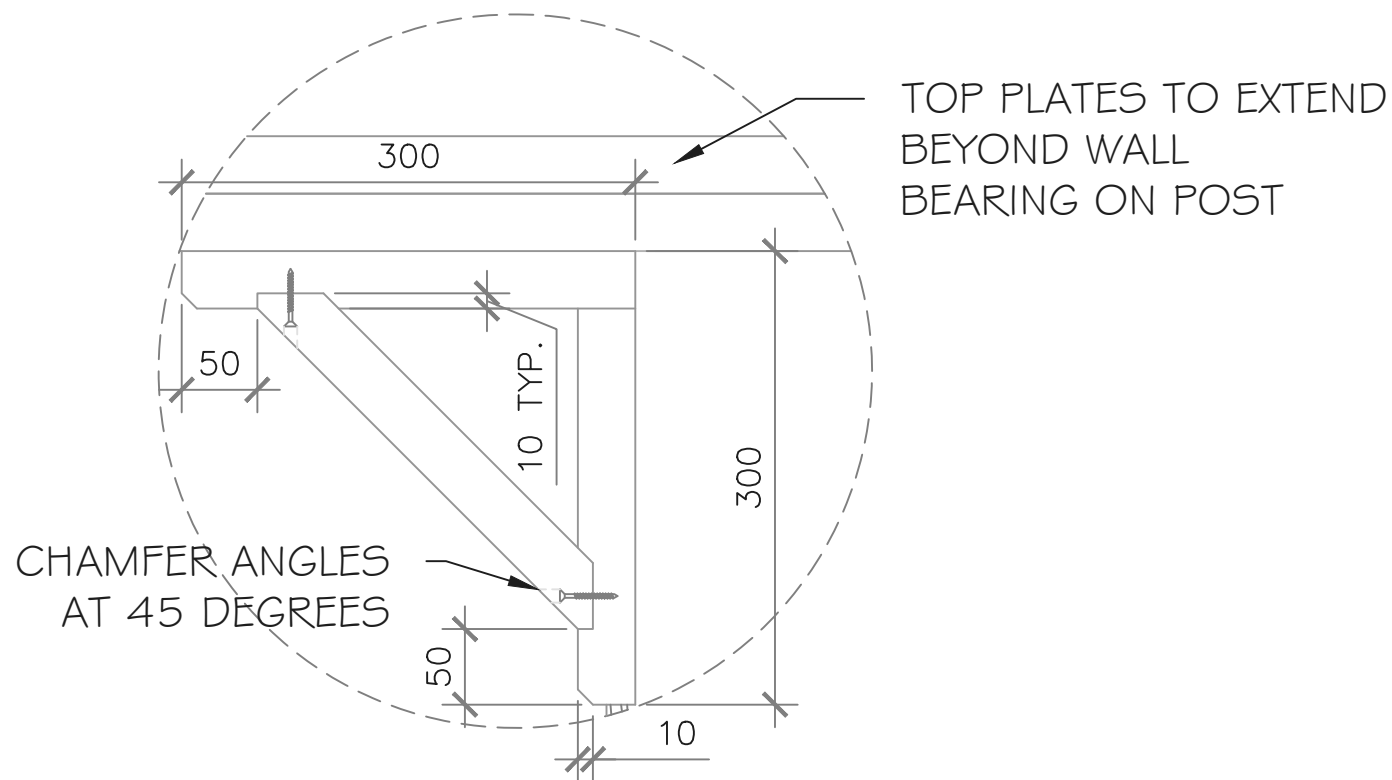
No.	Revision/Issue	Date
9	REVISIONS	SEPT. 12
...
2	REVISIONS	DEC.12
1	DRAFT	NOV. 19

SKILLS
CANADA

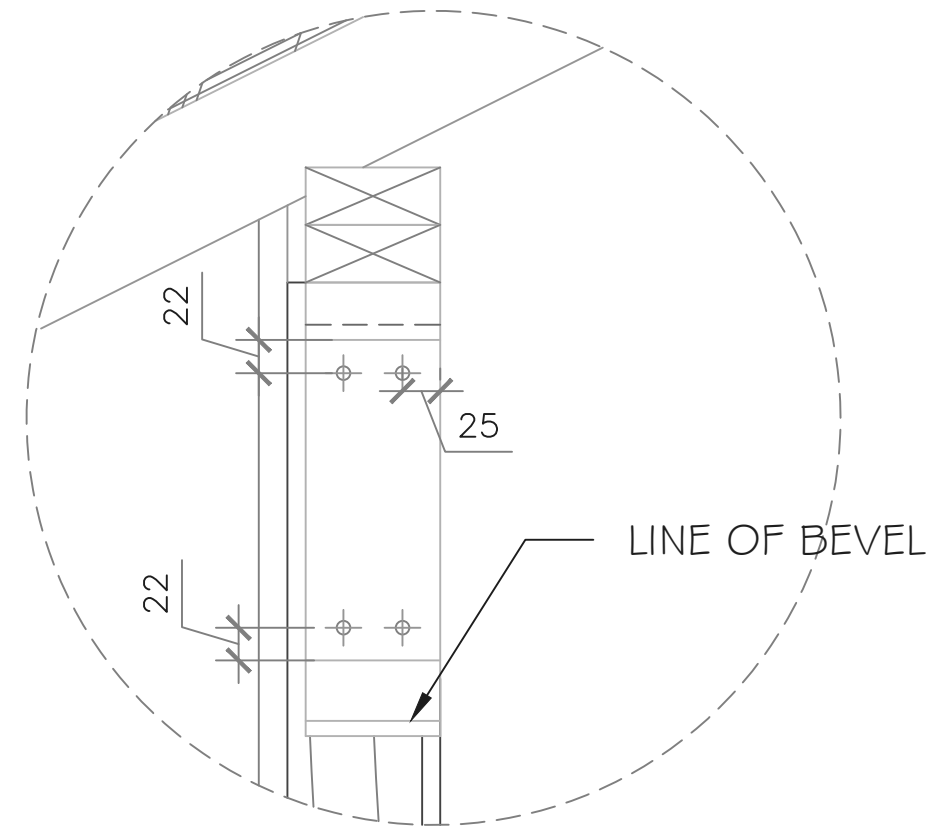
CARPENTRY
POST
SECONDARY

DETAILS
VERSION 2

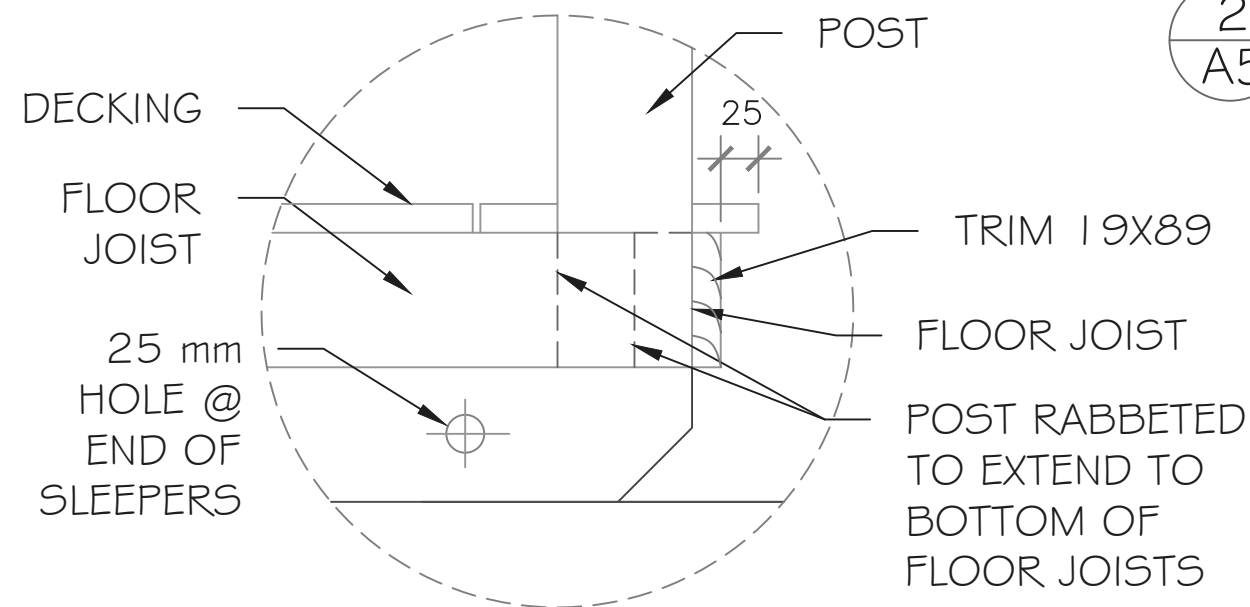
DRAWN BY: I. DU PLESSIS	SHEET #
DATE: SCNC2020	A9
SCALE: AS NOTED	



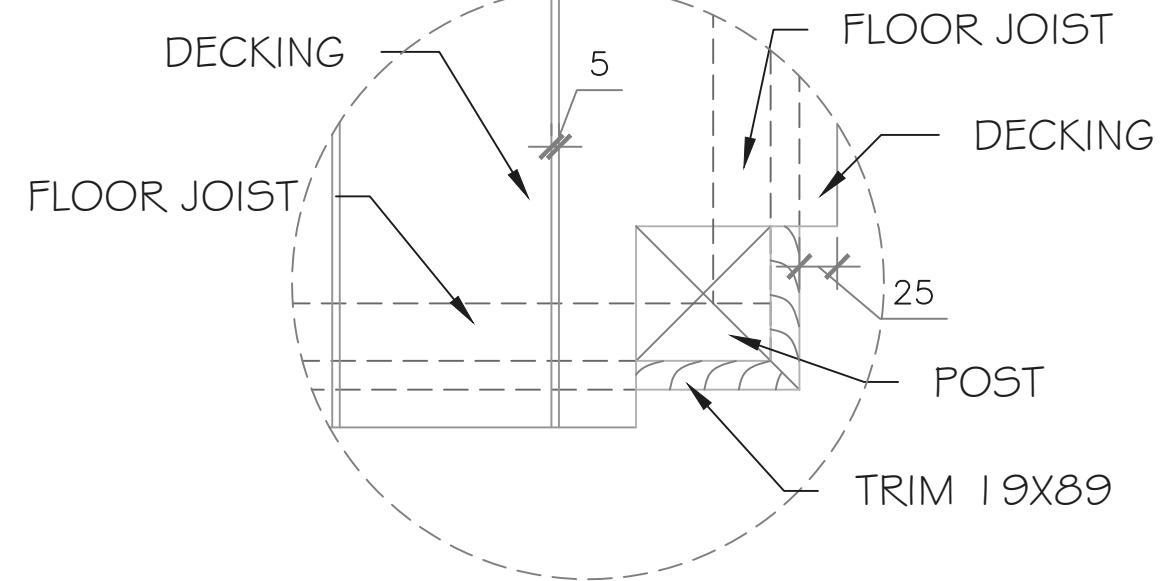
1 ARCHITECTURAL BRACKET DETAIL-A
A5



2 ARCHITECTURAL BRACKET DETAIL-B
A5



3 FLOOR JOISTS AT FRONT POSTS
A4



4 DECKING AT FLOOR JOISTS
A3

General Notes
FOR EDUCATIONAL
PURPOSE ONLY
1)

No.	Revision/Issue	Date
9	REVISIONS	SEPT. 12
...
2	REVISIONS	DEC.12
1	DRAFT	NOV. 19

SKILLS
CANADA

CARPENTRY
POST
SECONDARY

DETAILS
VERSION 2

DRAWN BY: I. DU PLESSIS	SHEET #
DATE: SCNC2020	A10
SCALE: AS NOTED	